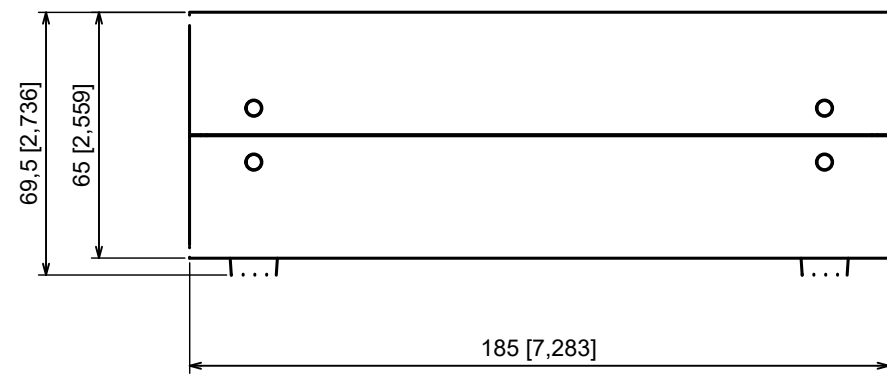
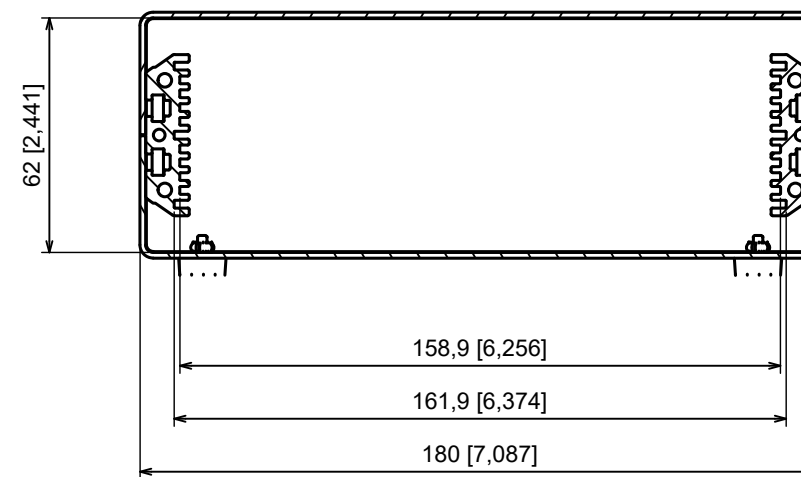


A |



A |

A-A



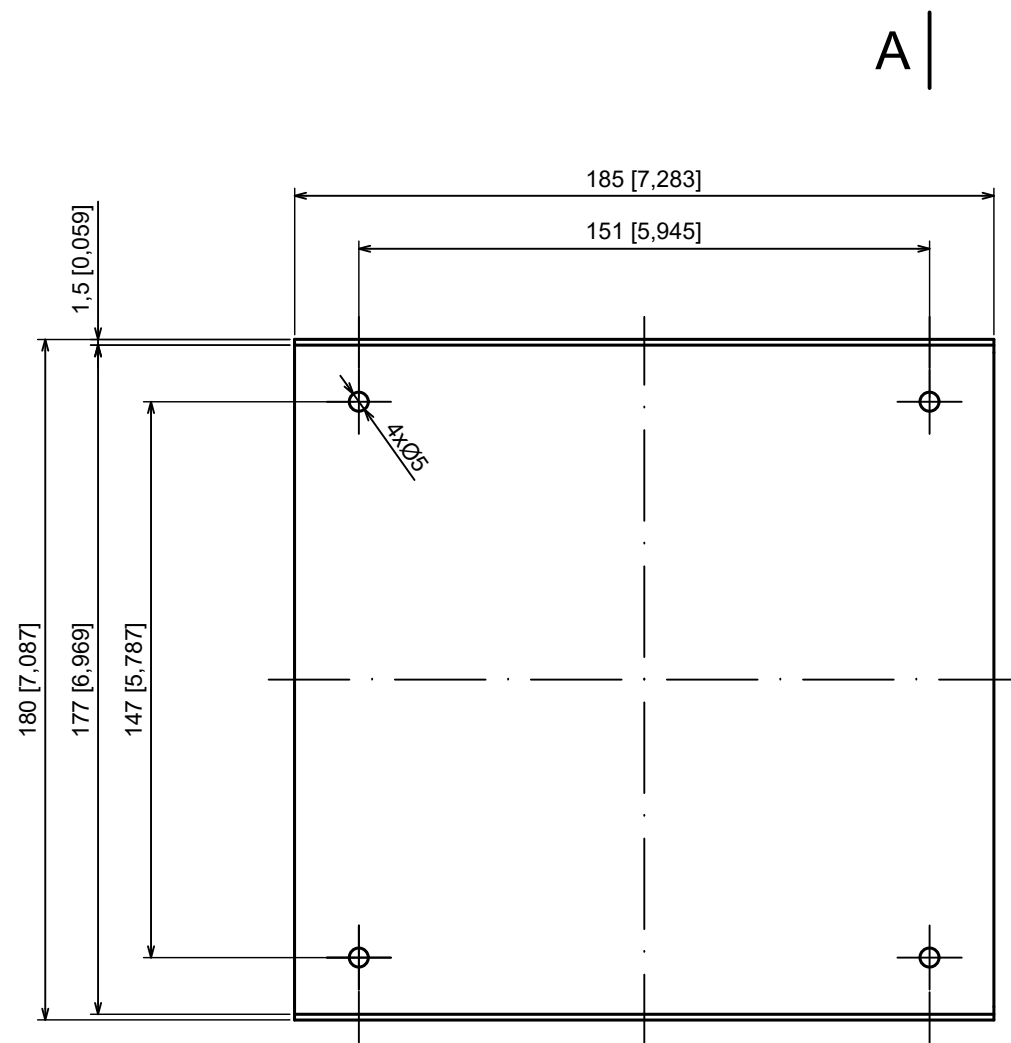
All rights reserved, Copyright Kradox 2023

Product model Enclosure ZR185.180.65 - Assembly

Format: A3 Material: Al

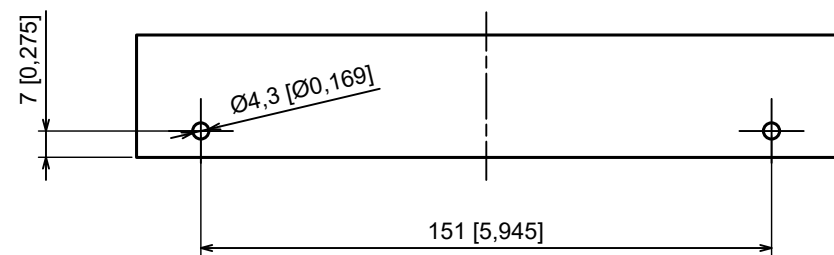
Scale 1:2 Tolerance: +/- 0.5



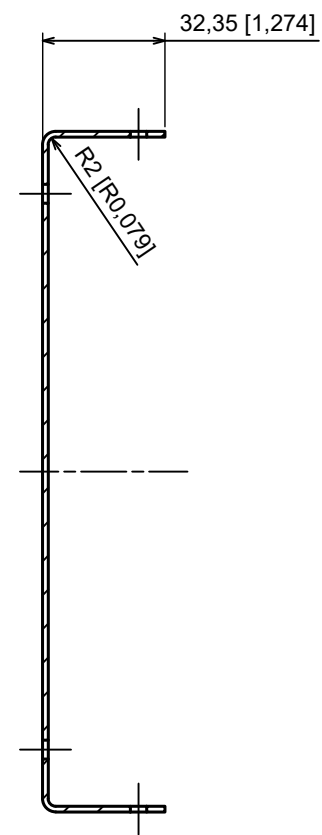



A |

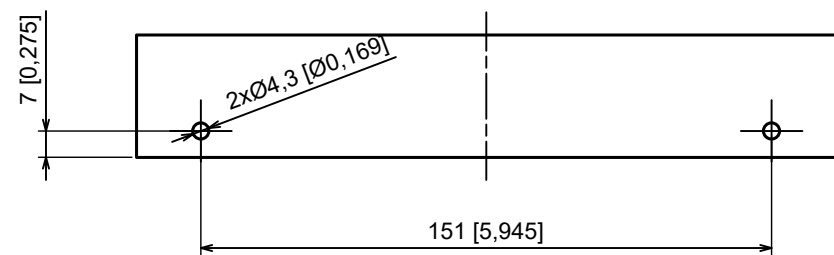
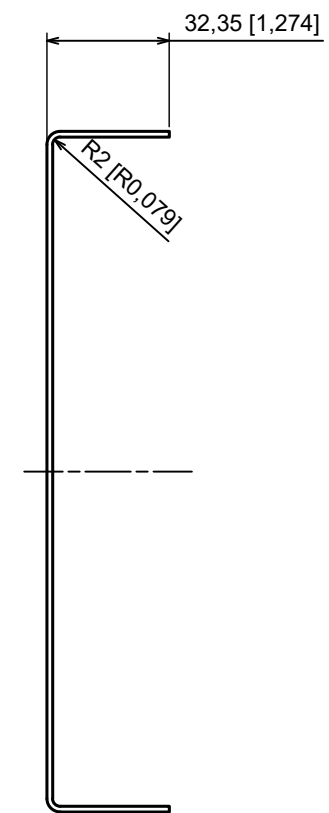
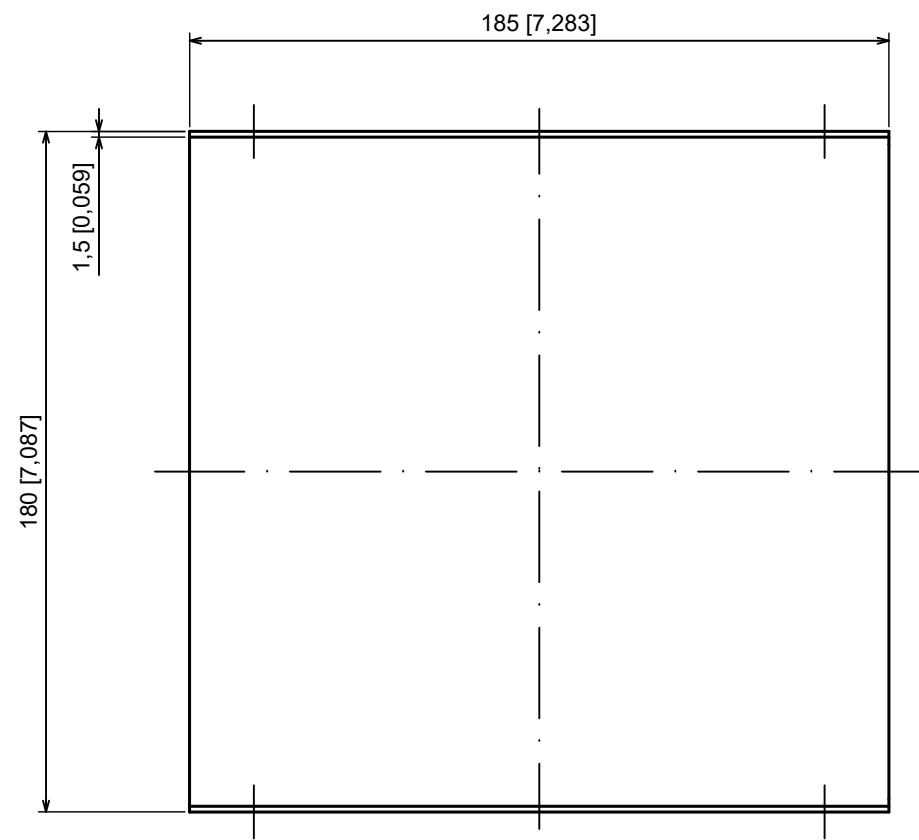
A |




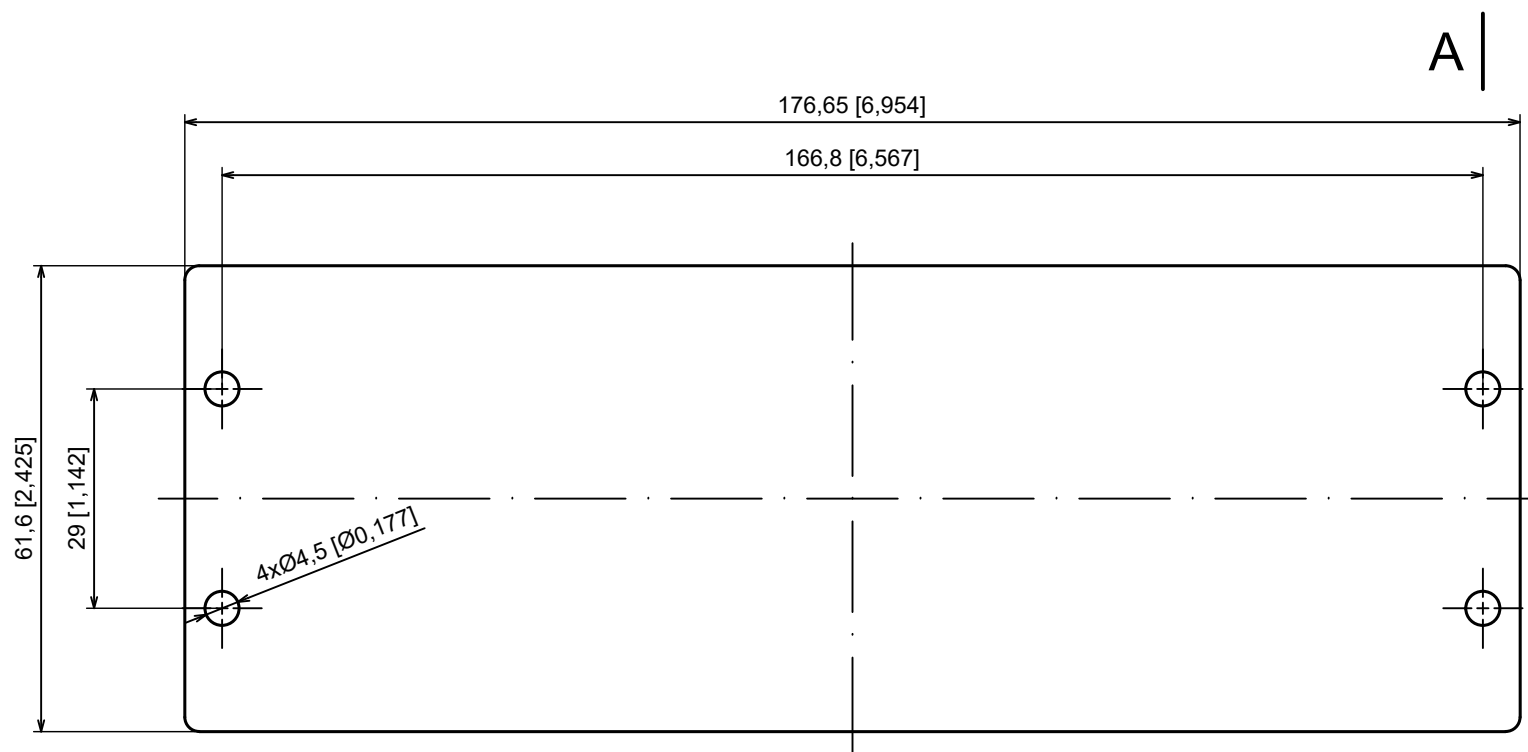
A-A



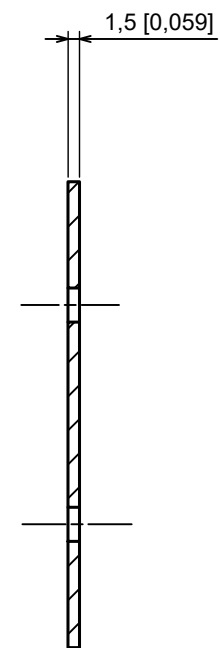
All rights reserved, Copyright Kradox 2023		
Product model	Enclosure ZR185.180.65 - Base	
Format: A3	Material: Al	
Scale 1:2	Tolerance: +/- 0.5	



All rights reserved, Copyright Kradox 2023		
Product model	Enclosure ZR185.180.65 - Cover	
Format: A3	Material: Al	
Scale 1:2	Tolerance: +/- 0.5	



A-A



A

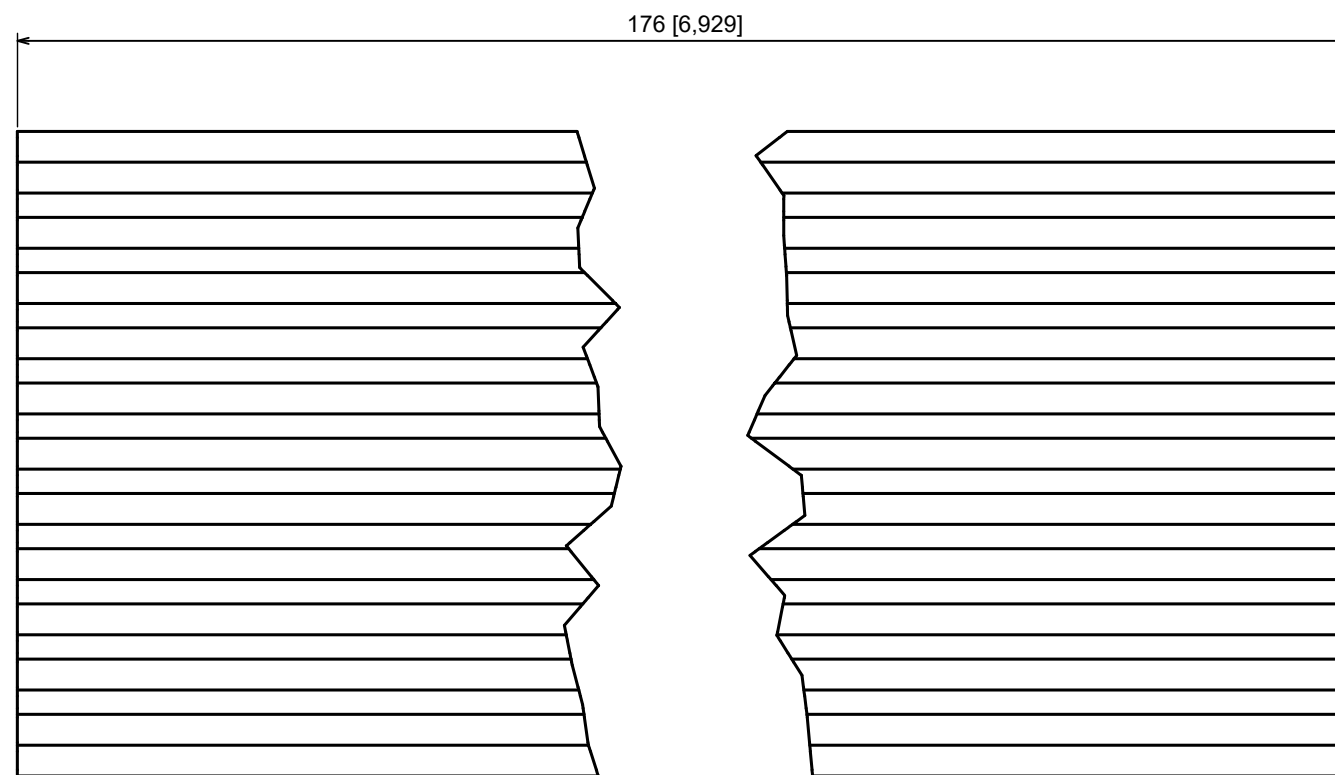
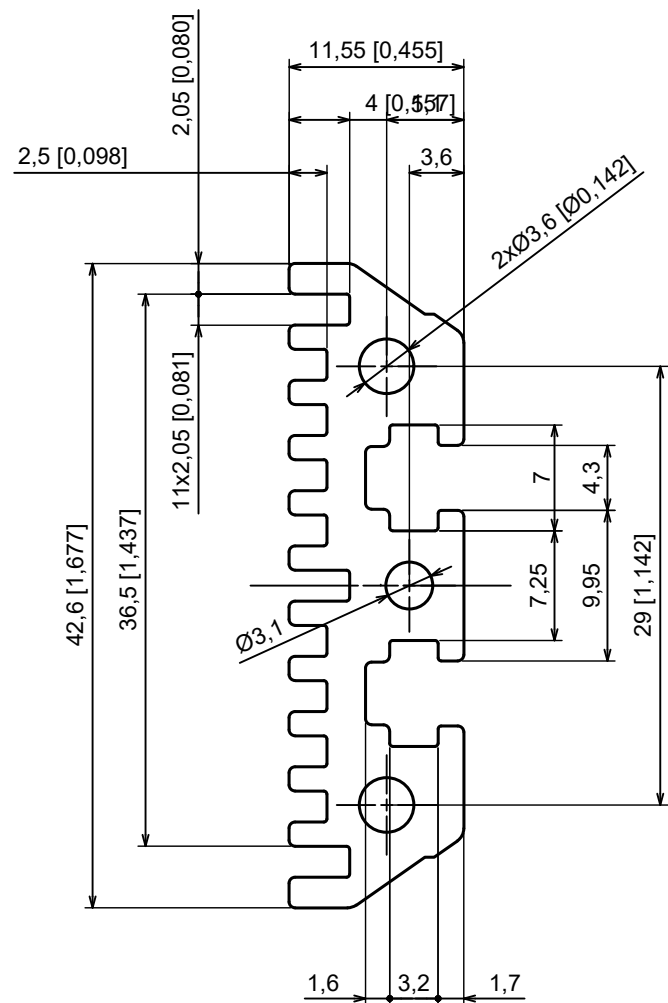
All rights reserved, Copyright Kradox 2023


Product model Enclosure ZR185.180.65 - Front Panel

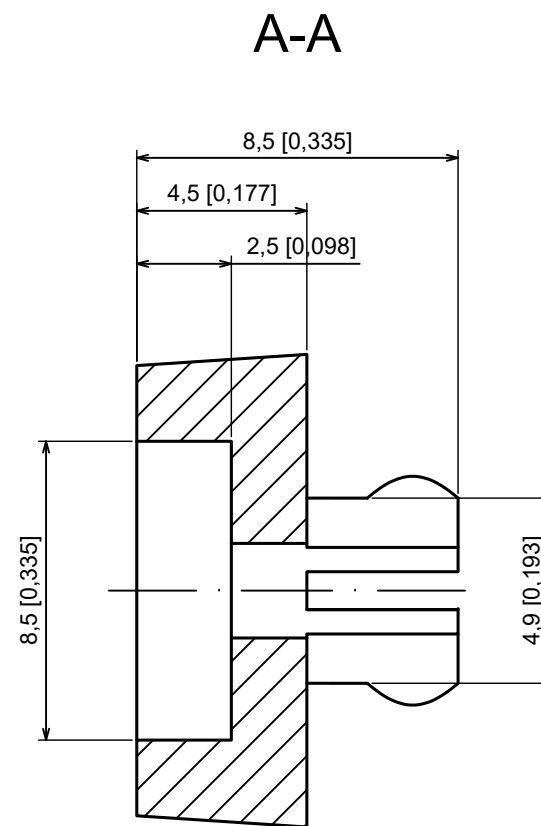
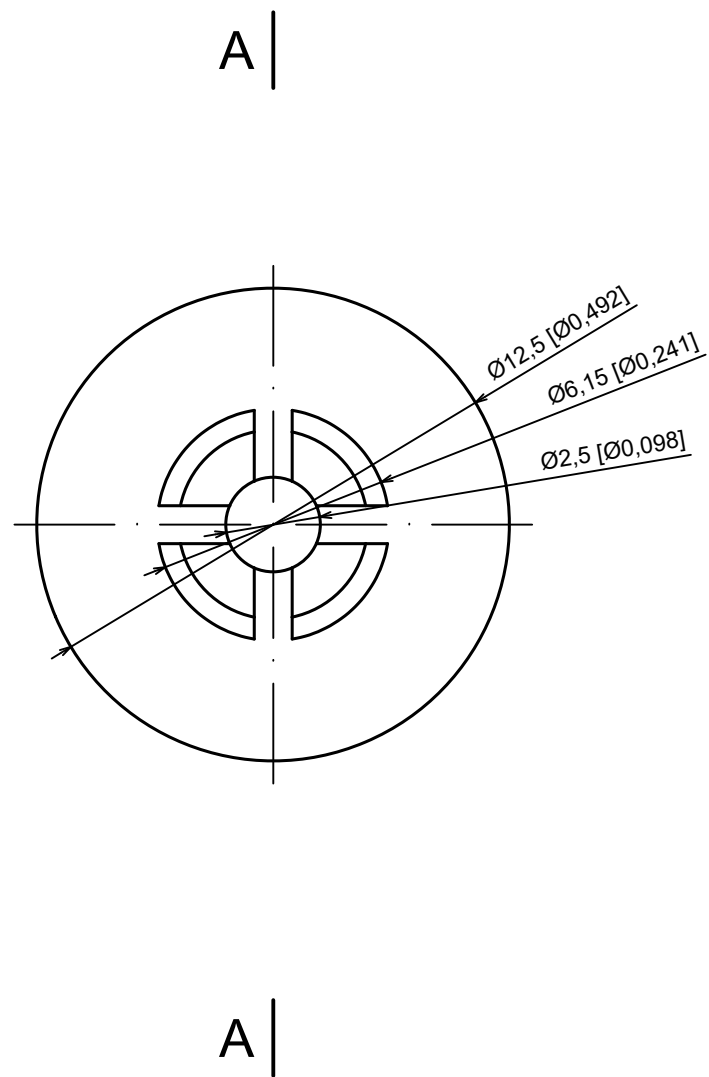
Format: A3 Material: Al


Scale 1:1 Tolerance: +/- 0.5

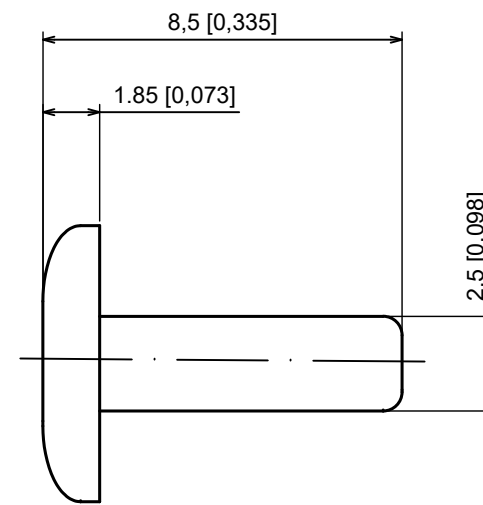
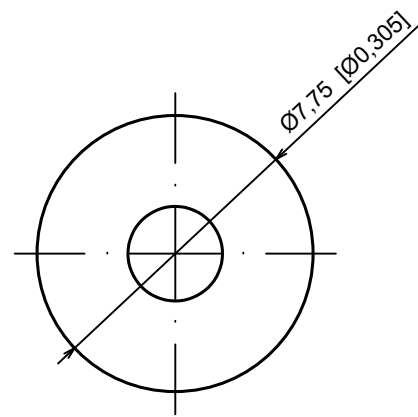




All rights reserved, Copyright Kradox 2023		
Product model	Enclosure ZR185.180.65 - Rail	
Format: A3	Material: Al	
Scale 2:1	Tolerance: +/- 0.5	



All rights reserved, Copyright Kradox 2023		
Product model	Enclosure ZR185.180.65 - Foot	
Format: A3	Material: PE	
Scale 5:1	Tolerance: +/- 0.5	



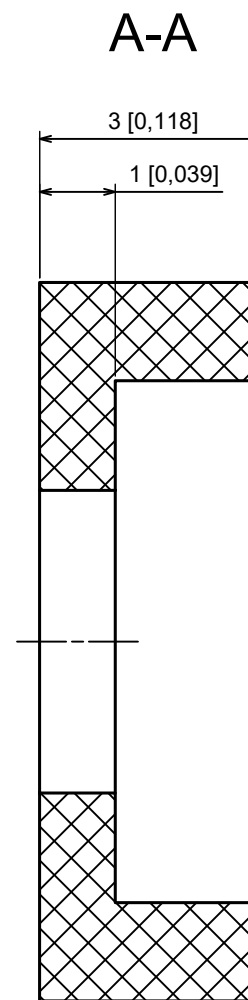
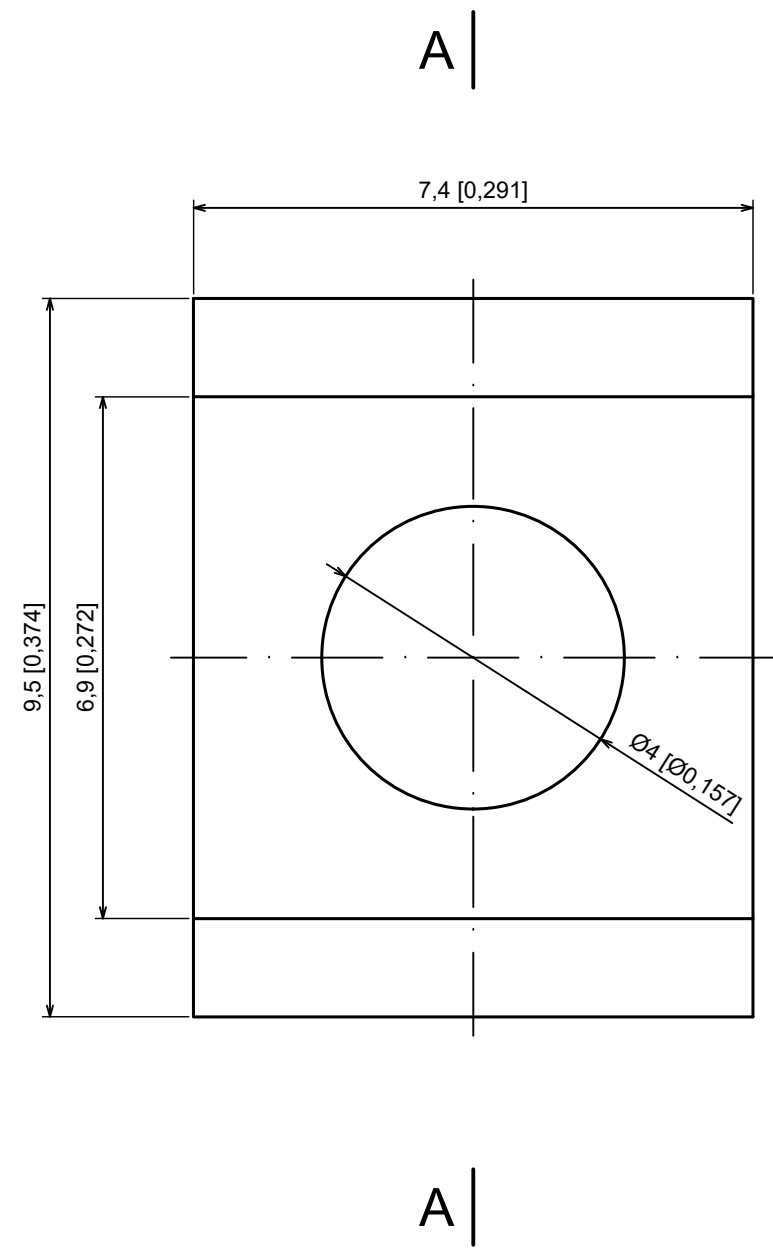
All rights reserved, Copyright Kradox 2023

Product model Enclosure ZR185.180.65 - Pin

Format: A3 Material: PP

Scale 5:1 Tolerance: +/- 0.5





All rights reserved, Copyright Kradox 2023

Product model	Enclosure ZR185.180.65 - Rubber Pad
---------------	-------------------------------------

Format: A3	Material: Rubber
------------	------------------

Scale 10:1	Tolerance: +/- 0.5
------------	--------------------

