
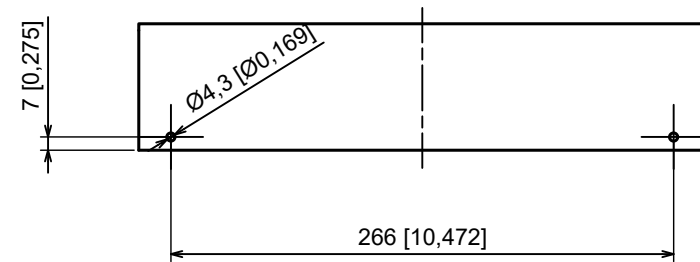
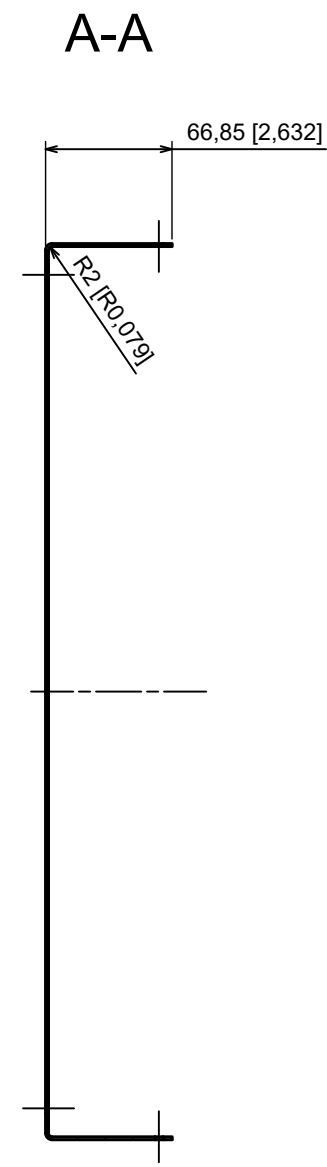
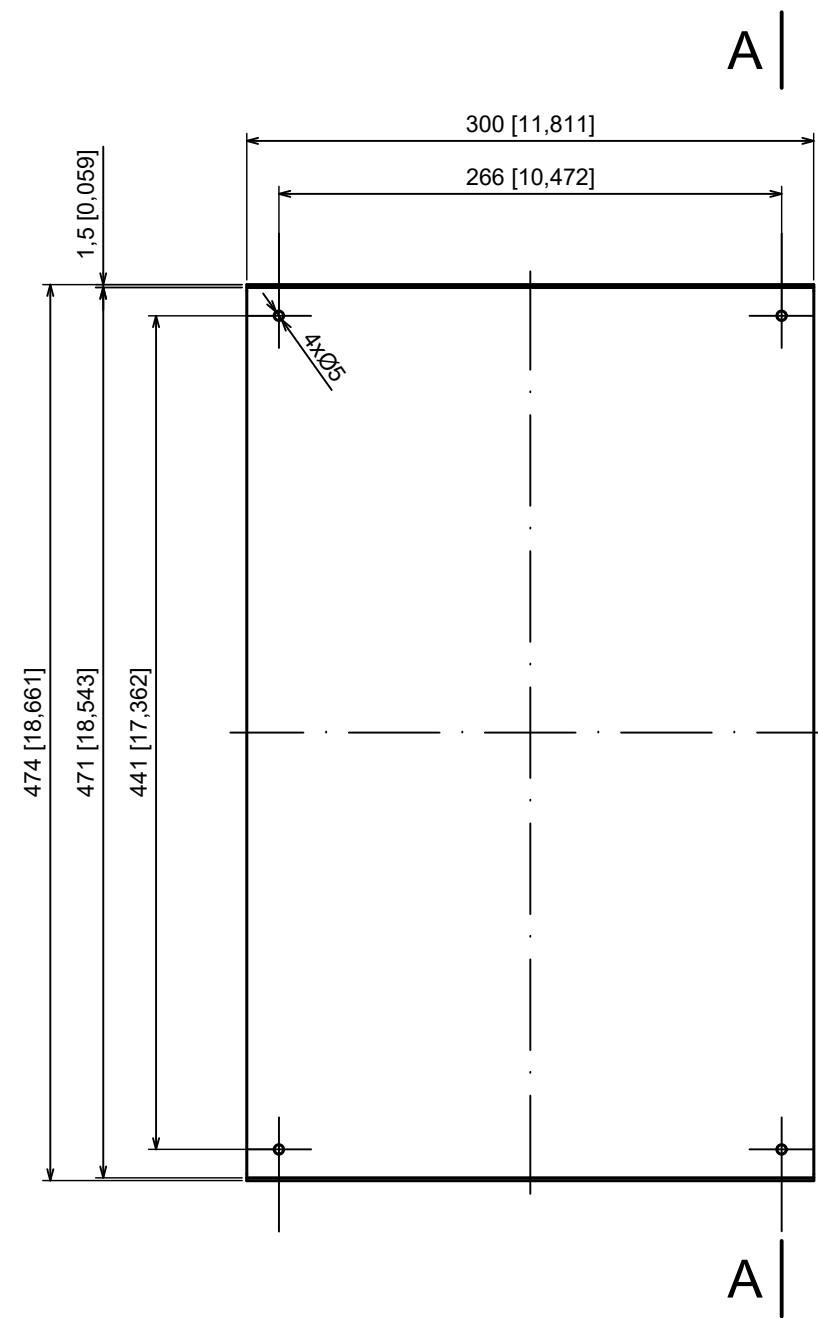


All rights reserved, Copyright Kradox 2023		
Product model	Enclosure ZR300.474.134 - Assembly	
Format: A3	Material: Al	
Scale 1:4	Tolerance: +/- 0.5	



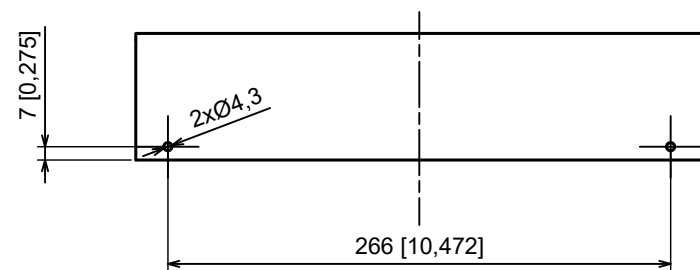
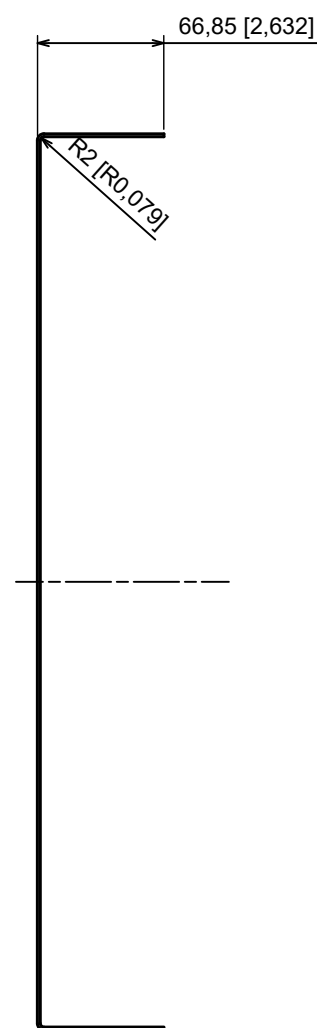
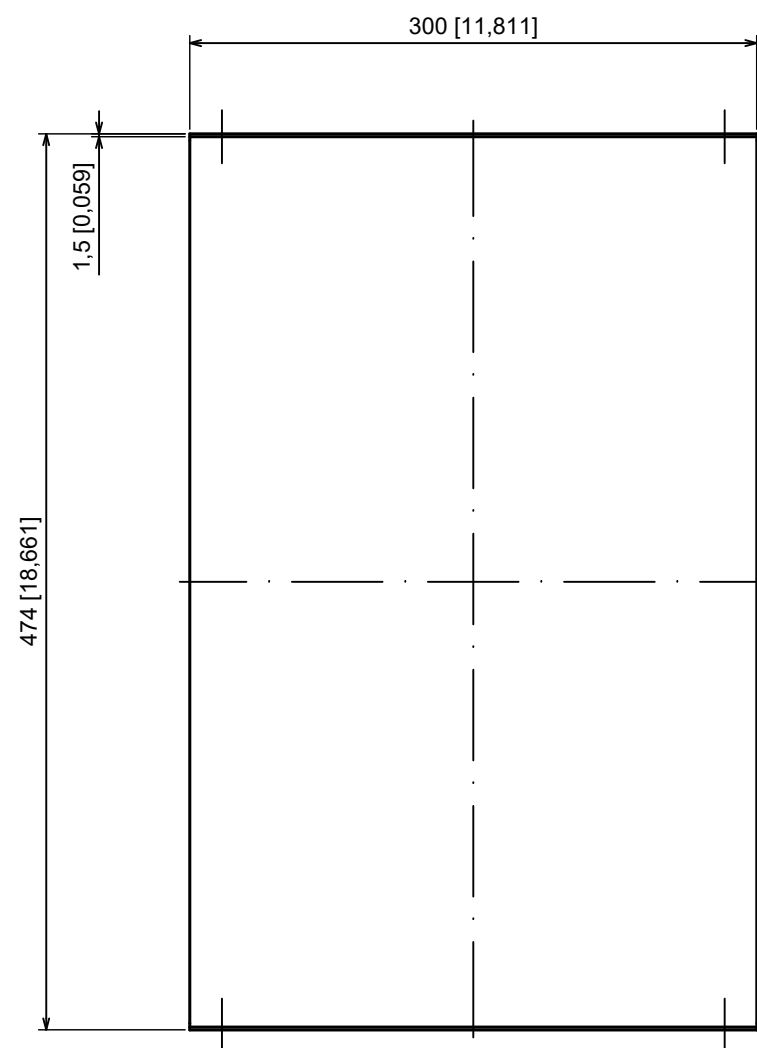
All rights reserved, Copyright Kradox 2023


Product model	Enclosure ZR300.474.134 - Base
---------------	--------------------------------

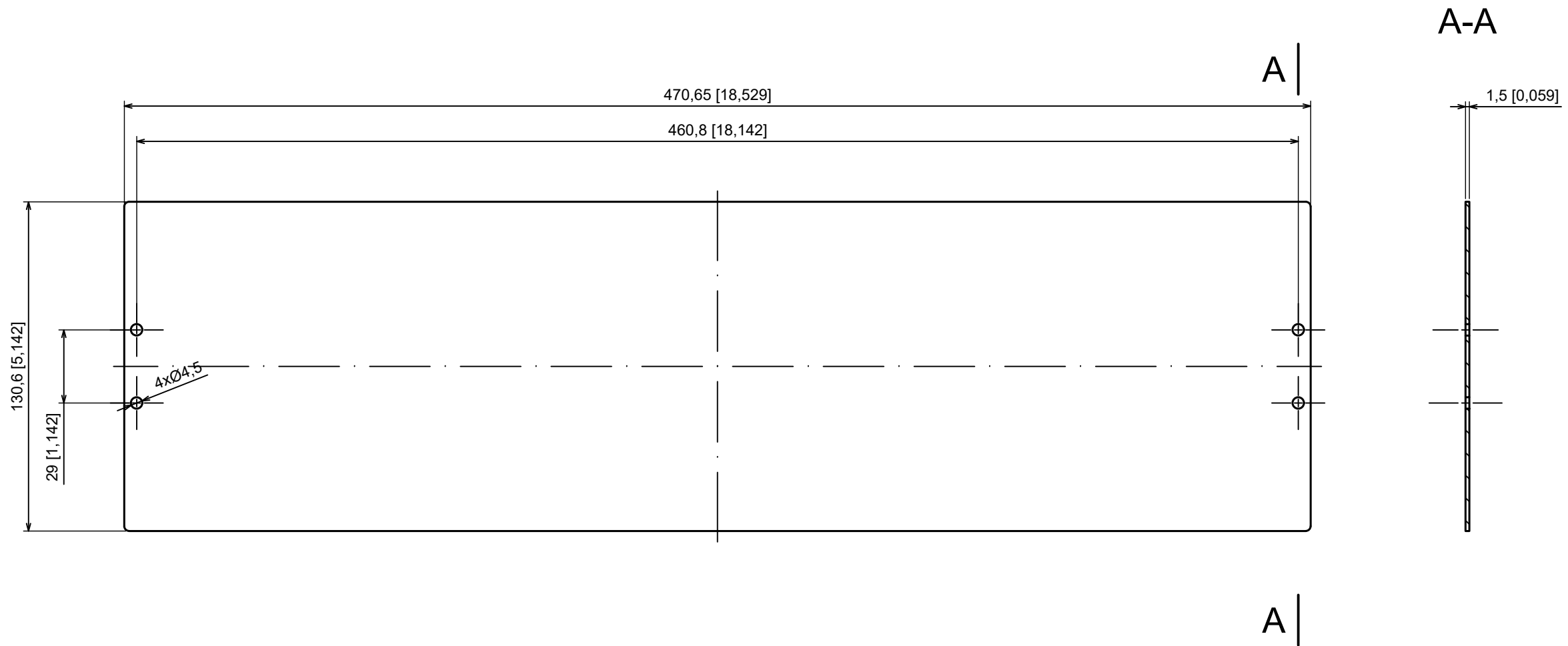
Format: A3	Material: Al
------------	--------------


Scale 1:4	Tolerance: +/- 0.5
-----------	--------------------

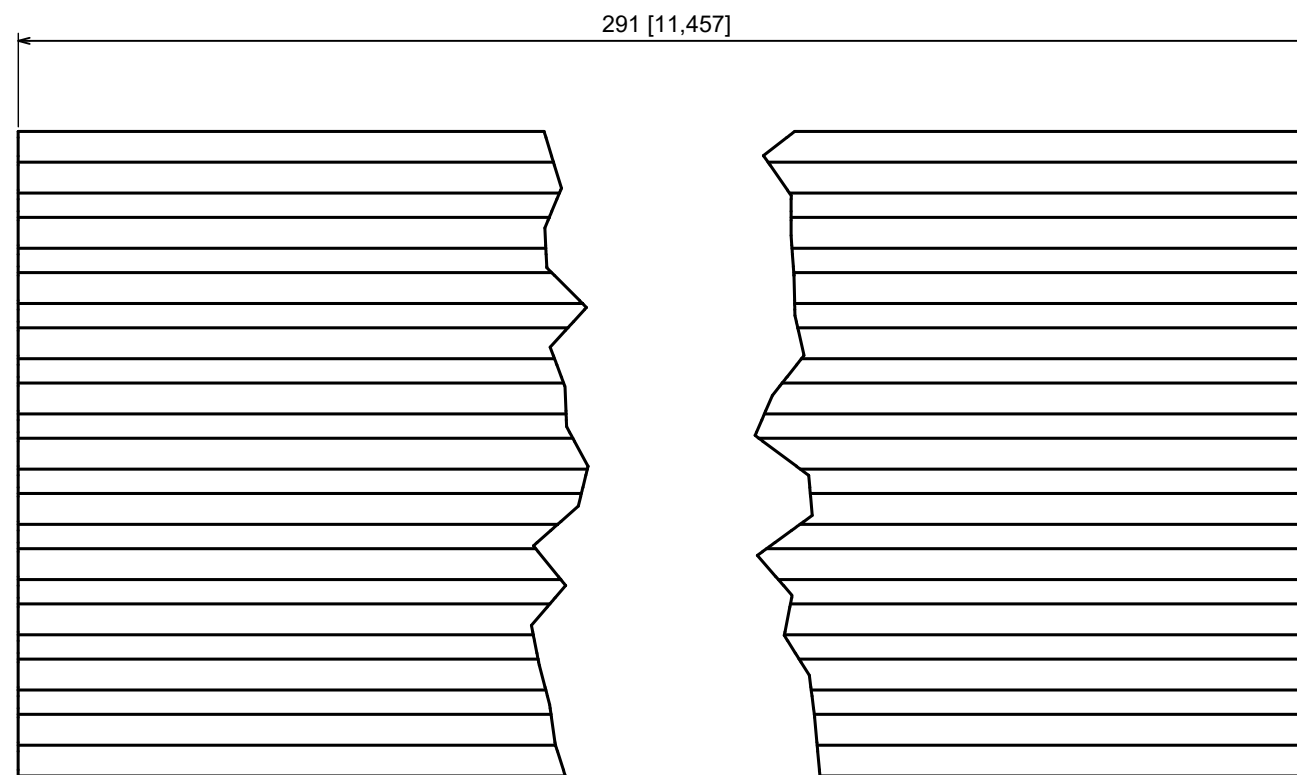
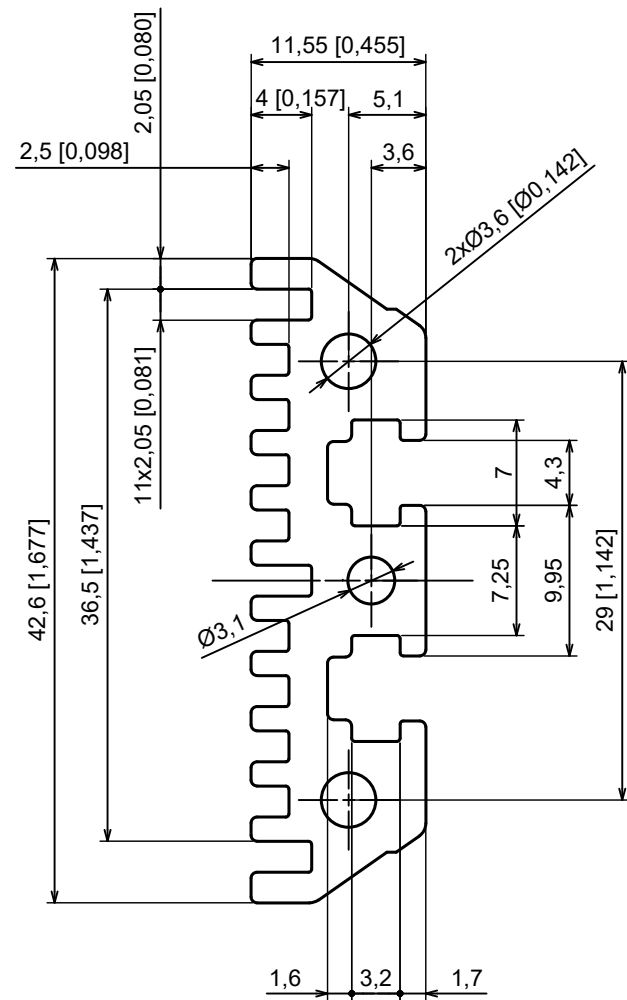





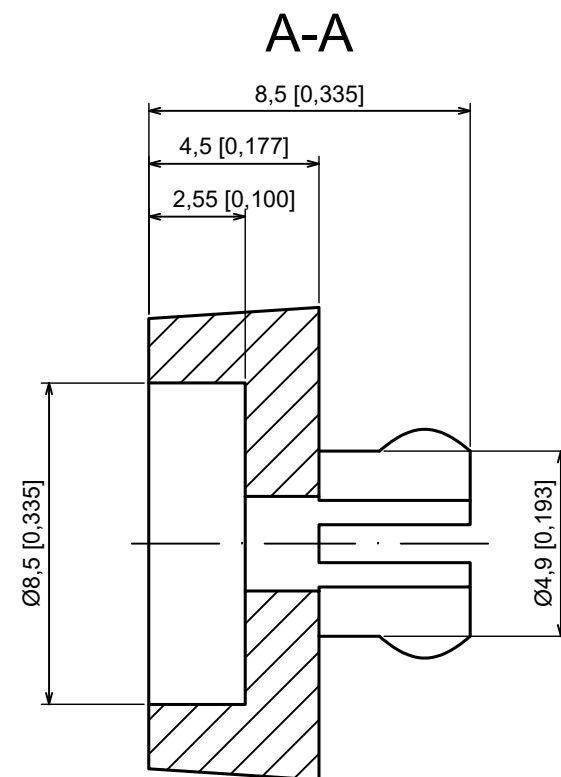
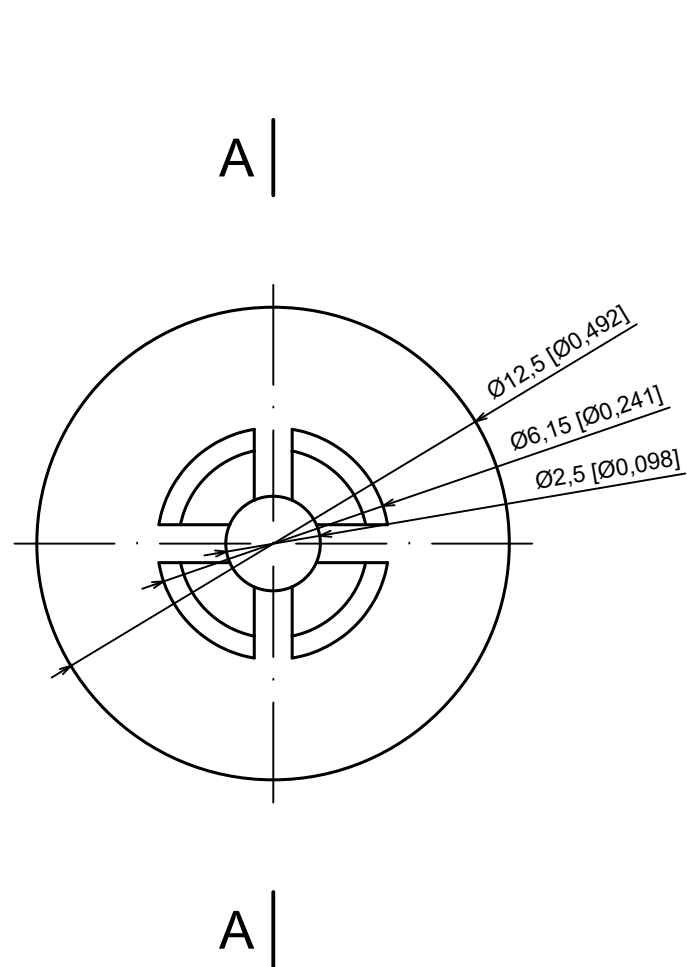
All rights reserved, Copyright Kradox 2023		
Product model	Enclosure ZR300.474.134 - Cover	
Format: A3	Material: Al	
Scale 1:4	Tolerance: +/- 0.5	



All rights reserved, Copyright Kradox 2023		
Product model	Enclosure ZR300.474.134 - Front Panel	
Format: A3	Material: Al	
Scale 1:2	Tolerance: +/- 0.5	



All rights reserved, Copyright Kradox 2023		
Product model	Enclosure ZR300.474.134 - Rail	
Format: A3	Material: Al	
Scale 2:1	Tolerance: +/- 0.5	



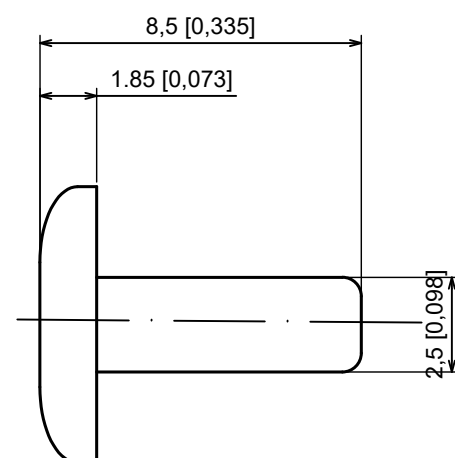
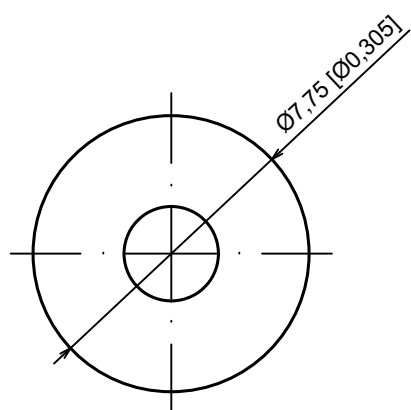
All rights reserved, Copyright Kradox 2023

Product model Enclosure ZR300.474.134 - Foot

Format: A3 Material: PE

Scale 5:1 Tolerance: +/- 0.5





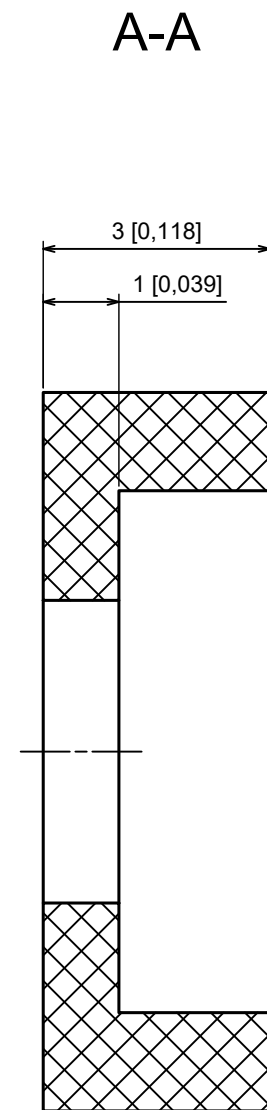
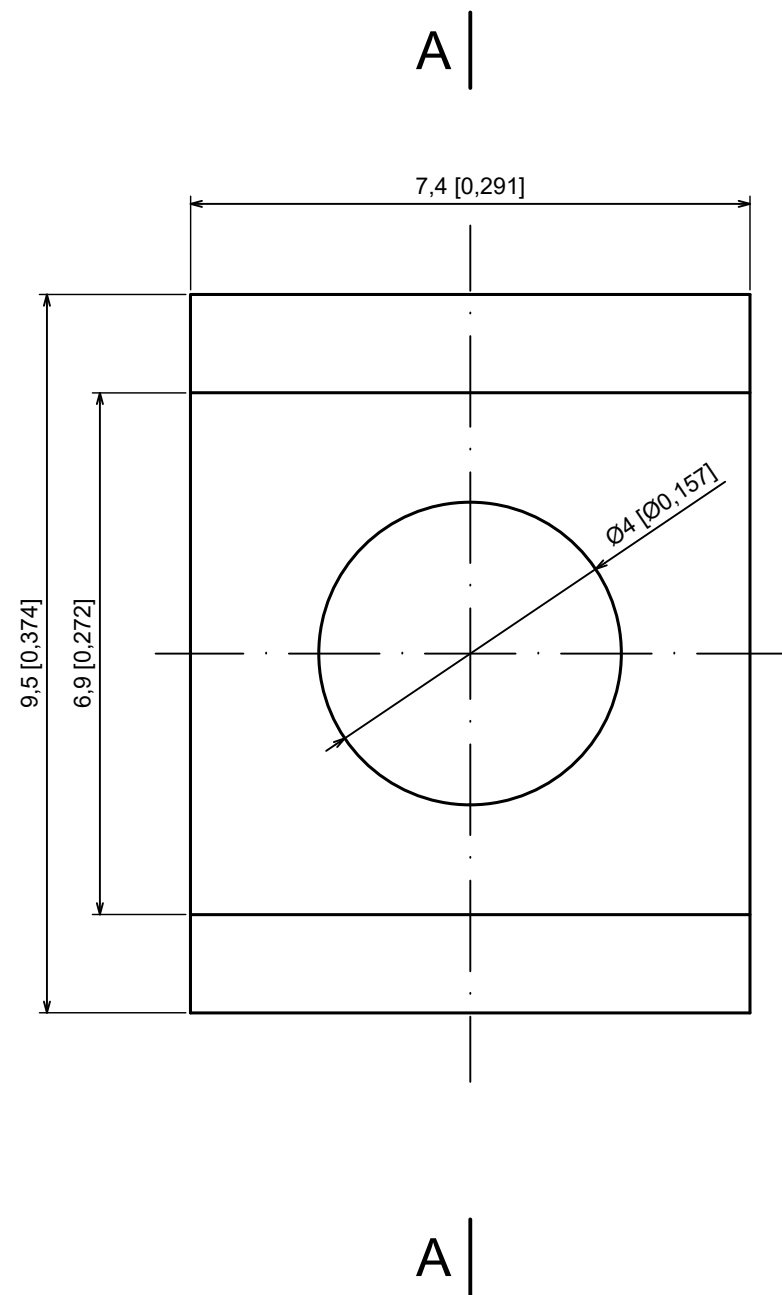
All rights reserved, Copyright Kradox 2023


Product model Enclosure ZR300.474.134 - Pin

Format: A3 Material: PP

Scale 5:1 Tolerance: +/- 0.5





All rights reserved, Copyright Kradox 2023		
Product model	Enclosure ZR300.474.134 - Rubber Pad	
Format: A3	Material: Rubber	
Scale 10:1	Tolerance: +/- 0.5	