
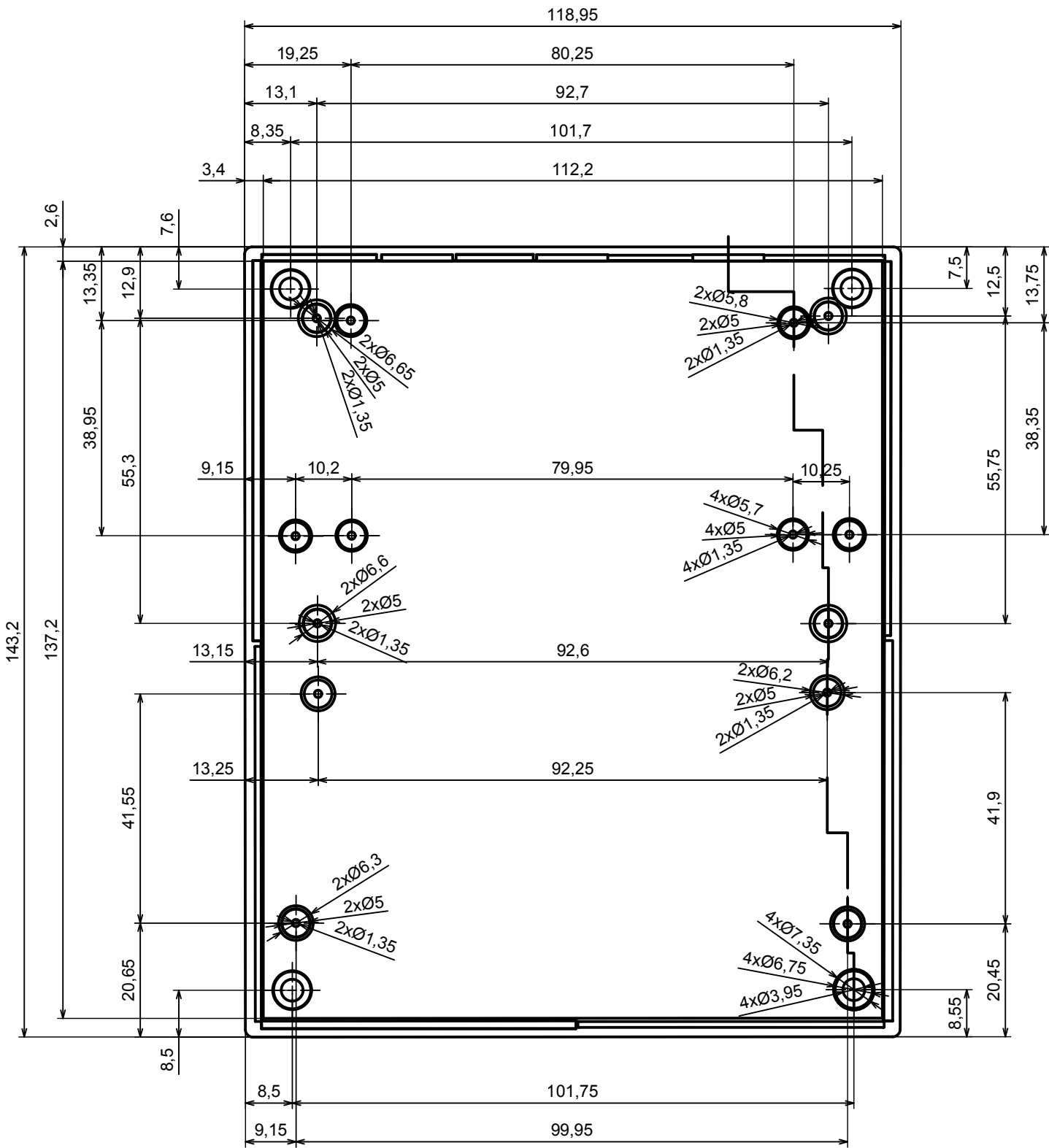
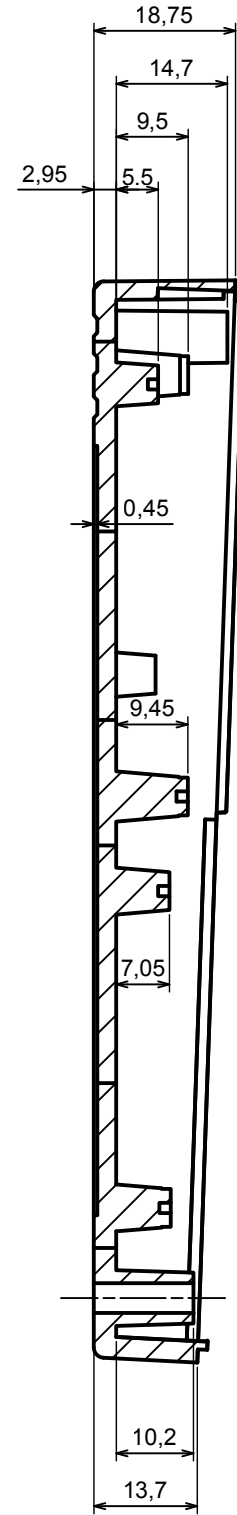


All rights reserved, Copyright Kradex 2017		
Product model	Enclosure Z28W - Assembly	
Format: A3	Material: PS, ABS	
Scale 1:1	Tolerance: +/- 0.8	

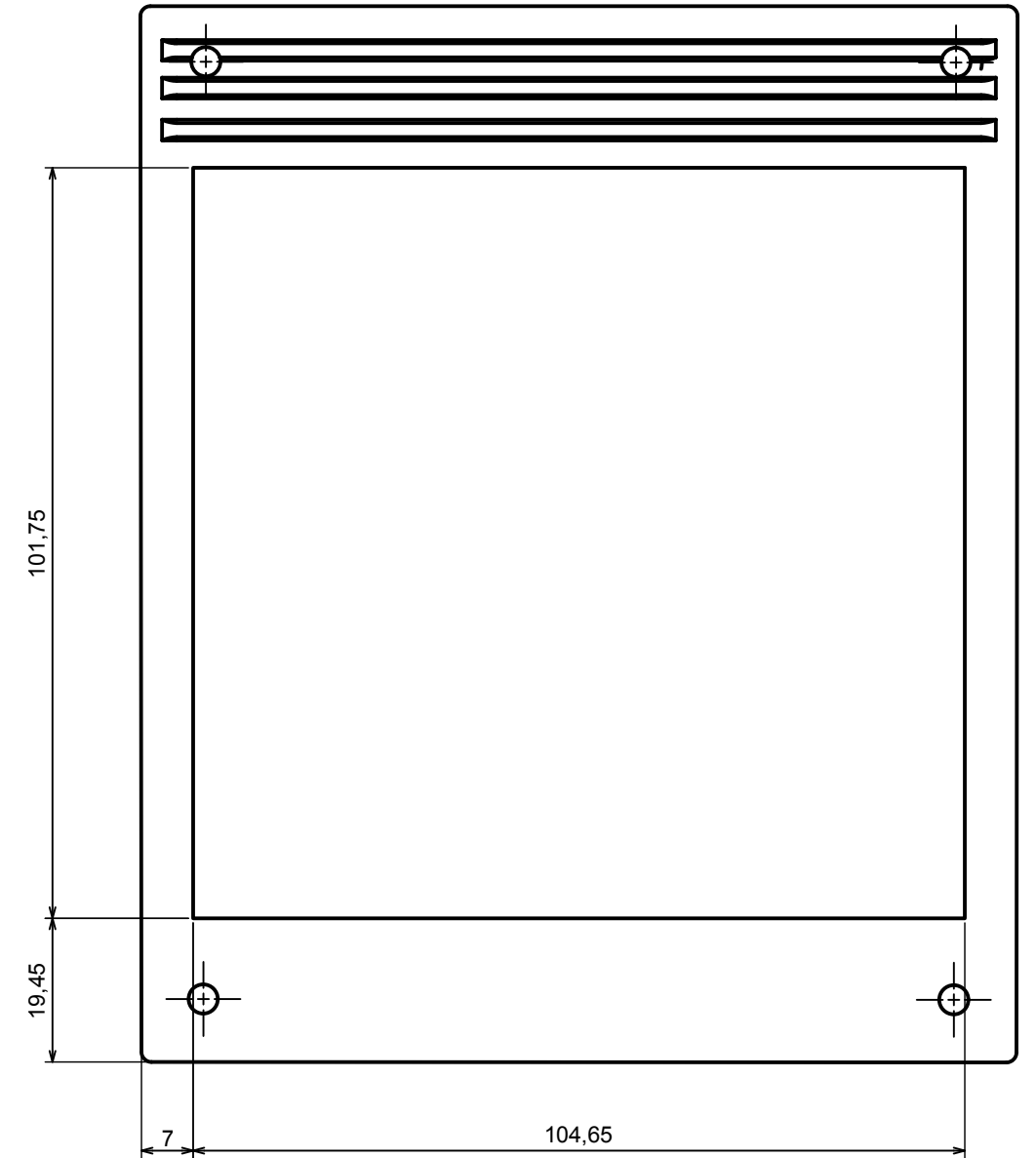
A |



A-A



A |



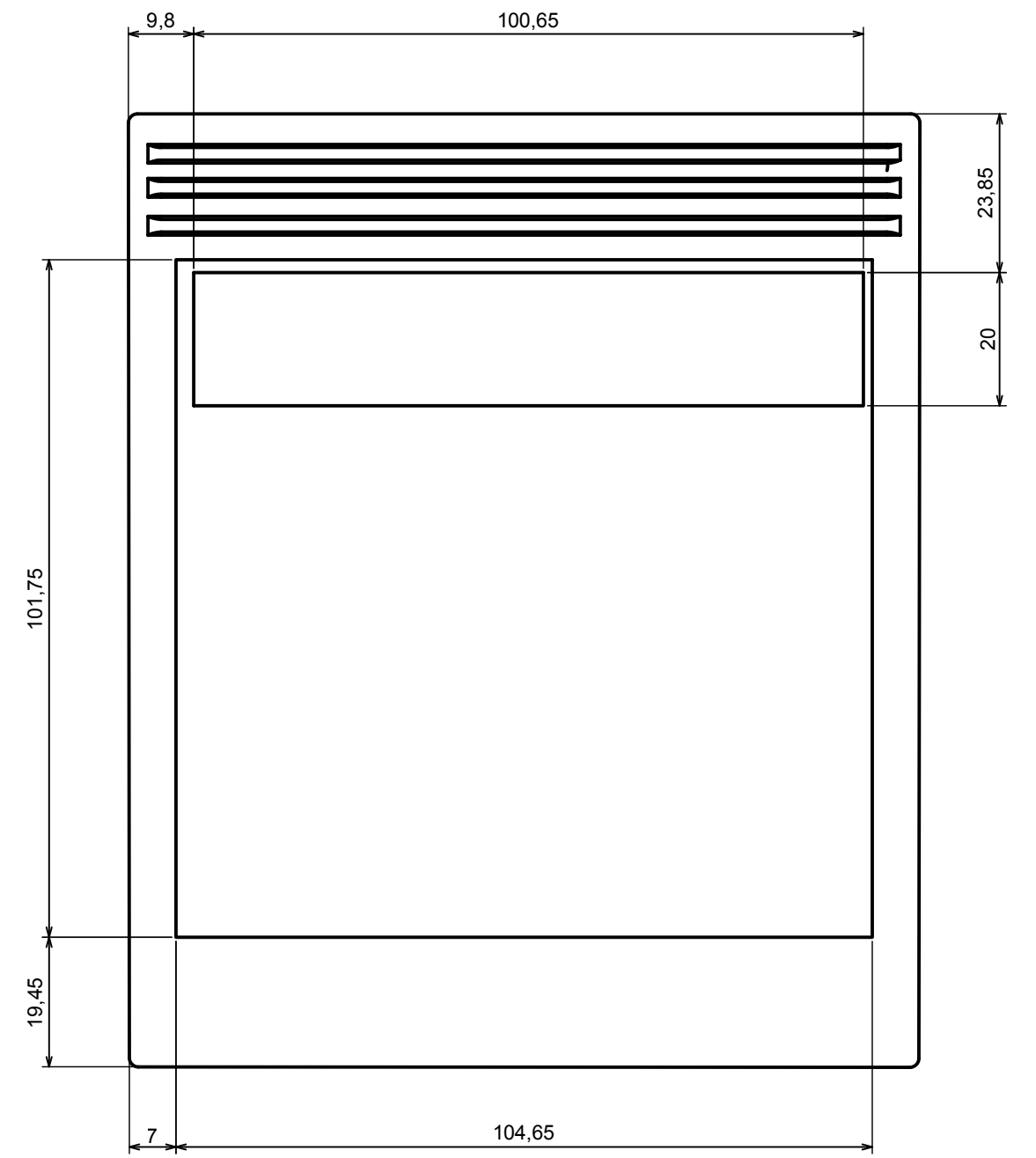
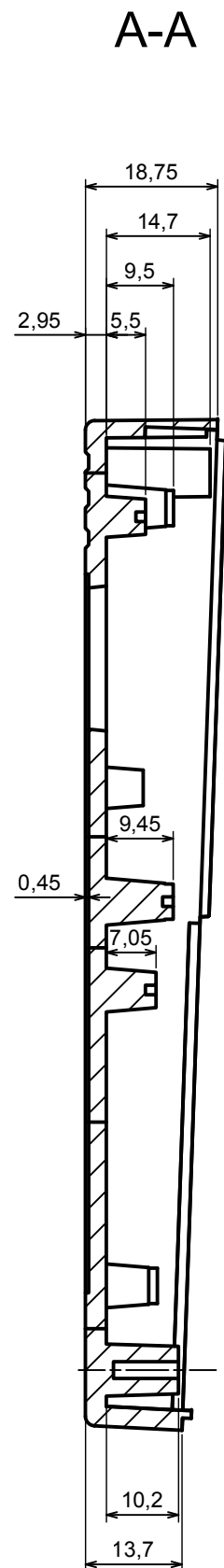
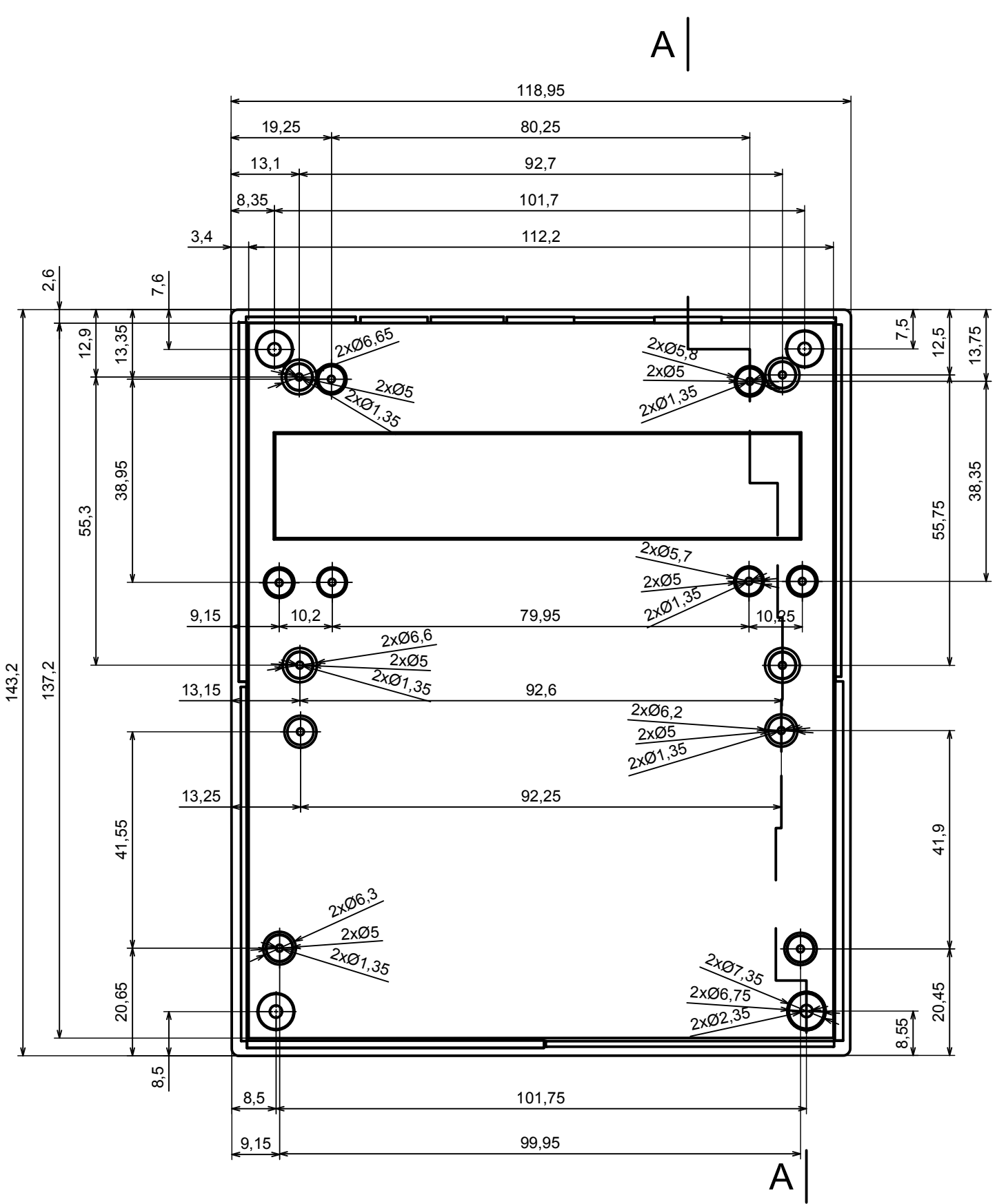
All rights reserved, Copyright Kradox 2017

Product model Enclosure Z28W - Base

Format: A3 Material: PS, ABS

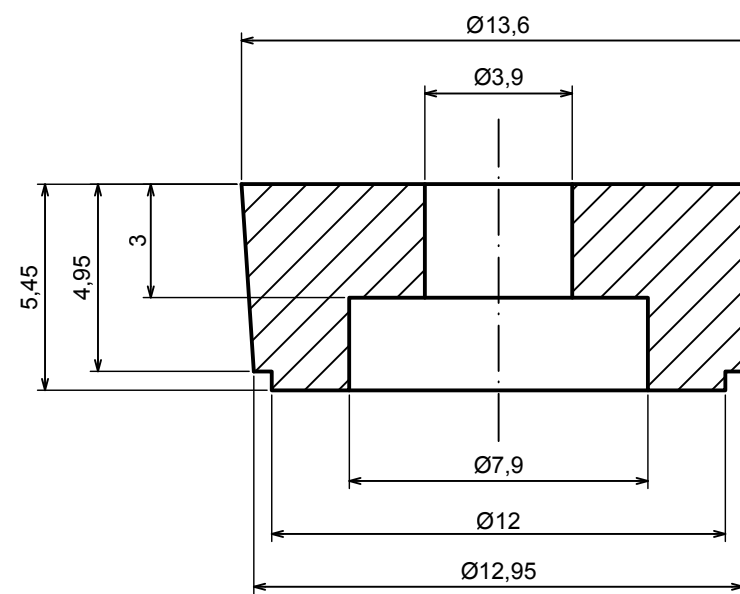
Scale 1:1 Tolerance: +/- 0.8





All rights reserved, Copyright Kradox 2017	
Product model	Enclosure Z28W - Cover
Format: A3	Material: PS, ABS
Scale 1:1	Tolerance: +/- 0.8





All rights reserved, Copyright Kradex 2017

Product model: Enclosure Z28W - Foot

Format: A3 Material: PS, ABS

Scale 5:1 Tolerance: +/- 0.5

